

TABLE "A" RAFTER SPANS (DOUGLAS FIR # 2 OR BETTER) **TABLE "B" HEADER SIZE & SPANS (DOUGLAS FIR # 2 OR BETTER)** **TABLE "C" FOOTING SIZE** **TABLE "D" LEDGER BOLTING**

SIZE	SPACING	SPAN	RAFTER SPAN	HEADER		BASED ON 1000 P.S.F. SOIL BEARING PRESSURE.	ALL LAG BOLTS SHALL HAVE 1/4" PRE-DRILLED HOLES (SEE NOTE 2)
				SPAN	SIZE		
2 X 4	12" O.C.	9'-10"	UP TO 12'-0"	8'-0" MAX	4 X 6	18" SQ. X 12" DEEP	1/2" DIA. X 5" LONG AT 16" O.C. STAGGERED.
	16" O.C.	8'-11"		10'-0" MAX	4 X 8	18" SQ. X 12" DEEP	
	24" O.C.	7'-8"		12'-0" MAX	4 X 10	18" SQ. X 12" DEEP	
	32" O.C.	*6'-3"		14'-0" MAX	4 X 12	18" SQ. X 12" DEEP	
2 X 6	12" O.C.	15'-4"	12'-1" TO 20'-0"	8'-0" MAX	4 X 8	24" SQ. X 12" DEEP	(3) 3/8" DIA. X 5" LONG AT 16" O.C.
	16" O.C.	13'-9"		10'-0" MAX	4 X 10	24" SQ. X 12" DEEP	
	24" O.C.	11'-3"		12'-0" MAX	4 X 12	24" SQ. X 12" DEEP	
	32" O.C.	*9'-7"		14'-0" MAX	4 X 14	24" SQ. X 12" DEEP	
2 X 8	12" O.C.	20'-0"	20'-1" TO 24'-1"	8'-0" MAX	4 X 10	27" SQ. X 12" DEEP	(2) 1/2" DIA. LAGS AT 16" O.C. FOR RAFTERS UP TO 24'-1".
	16" O.C.	18'-2"		10'-0" MAX	4 X 12	27" SQ. X 12" DEEP	
	24" O.C.	14'-10"		12'-0" MAX	4 X 14	27" SQ. X 12" DEEP	
	32" O.C.	*12'-8"		14'-0" MAX	4 X 16	27" SQ. X 12" DEEP	

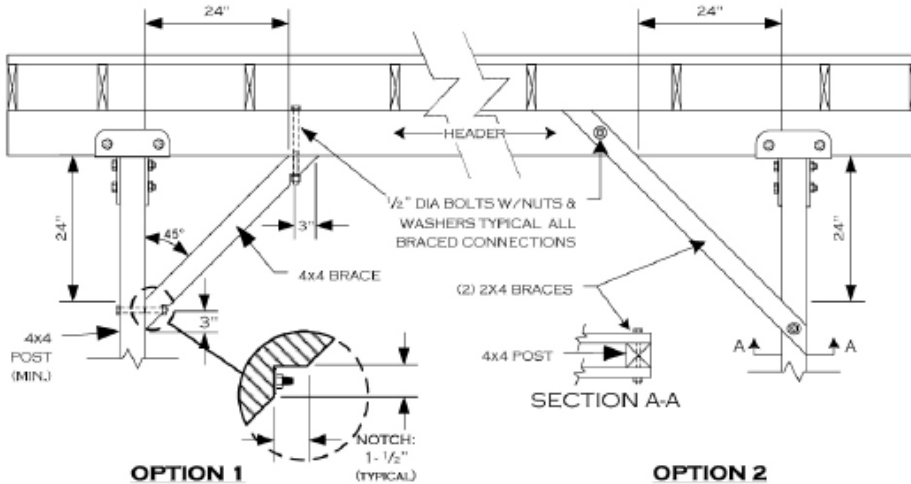
- NOTES:**
- TWO 2X MEMBERS MAY BE SUBSTITUTED FOR ONE 4 X HORIZONTAL FRAMING MEMBER.
 - LAG BOLTS MUST FULLY ENGAGE A WOOD STUD OR RIM JOIST AND BE PROVIDED WITH APPROPRIATE WASHERS. LAG BOLTS SHALL BE LOCATED A MINIMUM OF 1-1/2" FROM THE TOP OR BOTTOM OF THE LEDGER.
 - SEE PAGE 2 OF 2 FOR CONSTRUCTION DETAILS.
 - NOT DESIGNED TO BE ENCLOSED - ADDITIONAL ENGINEERING ANALYSIS WILL BE REQUIRED IF ENCLOSED.**

DISCLAIMER
 ANY ALTERNATE DESIGN DEVIATING FROM THIS CONVENTIONAL STANDARD WILL REQUIRE A SEPARATE ENGINEERING ANALYSIS AND PLAN SUBMITTAL.

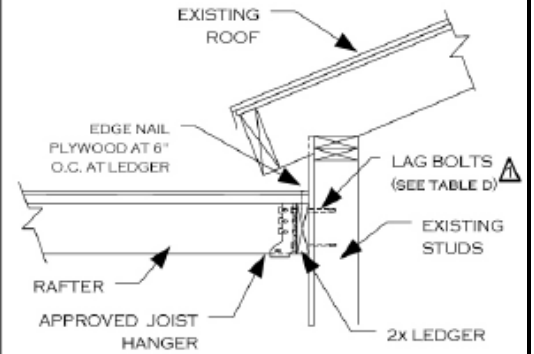
*** THIS SPACING AND SPAN IS FOR LATTICE PATIO COVERINGS ONLY.**

<p>MORENO VALLEY COMMUNITY DEVELOPMENT DEPARTMENT</p>	<p>CITY OF MORENO VALLEY Building & Safety Division</p>		
	<p>PATIO COVER CITY STANDARD</p>		
<p>951.413.3350</p>	<p>14177 Frederick St Moreno Valley, CA 92552</p>		
	<p>01/28/2025</p>	<p>patiocoversfd2025</p>	<p>Page 1 of 2</p>

KNEE BRACE DETAIL AT END POSTS (REQUIRED WHEN RAFTER SPAN EXCEEDS 12 FT.)

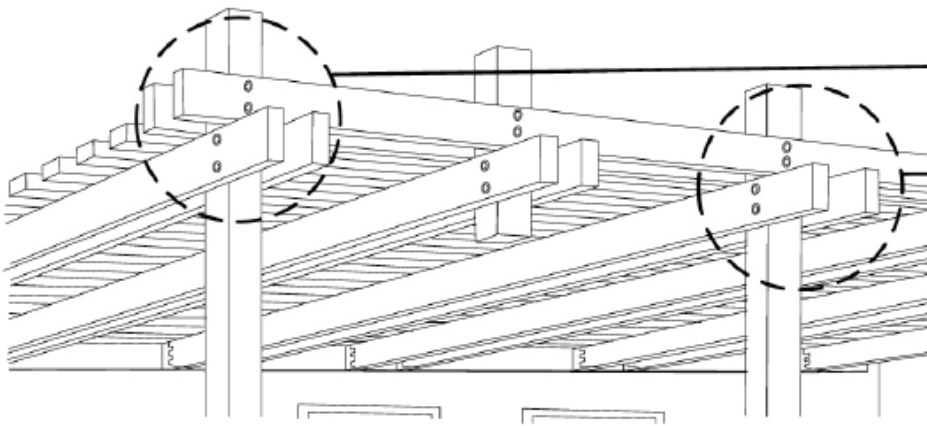


LEDGER ATTACHMENT DETAIL



- NOTES:
 1. USE A CONTINUOUS 2X LEDGER – SAME DEPTH AS RAFTER OR LARGER
 2. SEE TABLE "D" FOR BOLTING REQUIREMENTS

INVERTED HEADER DESIGN OPTION (LATTICE ONLY)



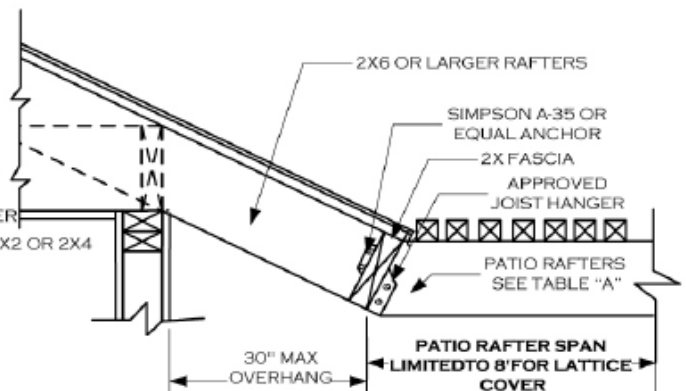
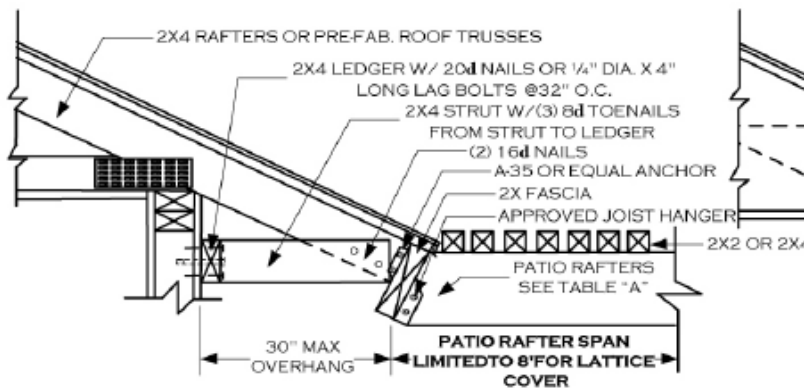
- TWO 1/2" DIA. THRU-BOLTS (W/ WASHERS), PER CONNECTION AS SHOWN
 FOR HEADERS OR RAFTERS- TWO 2X MEMBERS MAY BE SUBSTITUTED FOR ONE 4X MEMBER. SEE TABLES "A" & "B" FOR SPAN LIMITS

NOTE: KNEE BRACING REQUIRED WHEN RAFTER SPAN EXCEEDS 12 FEET

2X FASCIA (OVERHANG) ATTACHMENT – LATTICE ONLY

OPTION 1

OPTION 2



NOTE:

VERIFY STRUCTURAL SOUNDNESS OF ROOF RAFTERS FOR DECAY OR TERMITE DAMAGE AND REPLACE WITH THE LIKE MATERIALS AS NEEDED AFTER, CONSULTATION WITH THE BUILDING DEPARTMENT.

<p>MORENO VALLEY COMMUNITY DEVELOPMENT DEPARTMENT</p>	<p>CITY OF MORENO VALLEY Building & Safety Division</p>		
	<p>PATIO COVER CITY STANDARD</p>		
<p>951.413.3350</p>	<p>14177 Frederick St Moreno Valley, CA 92552</p>		
	<p>01/28/2025</p>	<p>patiocoversfd2025</p>	<p>Page 2 of 2</p>