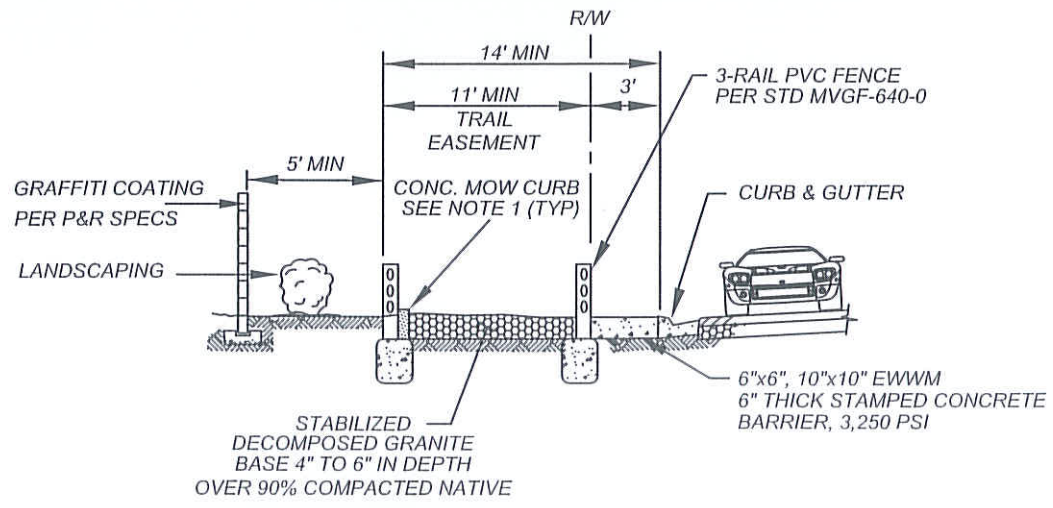


**MULTI-USE TRAIL
ADJACENT TO STREET WITHOUT SIDEWALK**

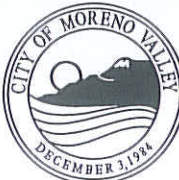




**MULTI-USE TRAIL & PLANTER
ADJACENT TO STREET WITHOUT SIDEWALK**

NOTES:

- 1.) CONCRETE MOW CURB REQUIRED NEXT TO LANDSCAPE AREAS (REFER TO STANDARD MVLI-522B-0 FOR MOW CURB DETAIL).
- 2.) THE 3' WIDE STAMPED CONCRETE BARRIER SHALL BE COBBLESTONE RUNNING BOND PATTERN BY L. M. SCOFIELD WITH OMAHA TAN COLORING BY DAVIS COLORING OR APPROVED EQUALS.

NOT TO SCALE

	RECOMMENDED:  DIVISION MANAGER DATE	<h2 style="margin: 0;">CITY OF MORENO VALLEY</h2> <p style="margin: 0;">PARKS AND COMMUNITY SERVICES DEPARTMENT</p>	STANDARD PLAN MVGF-610F-0
	APPROVED:  PUBLIC WORKS DIRECTOR / DATE CITY ENGINEER		<h3 style="margin: 0;">MULTI-USE TRAIL</h3>