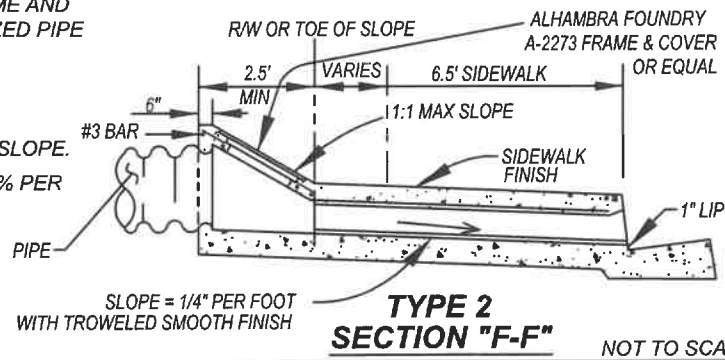
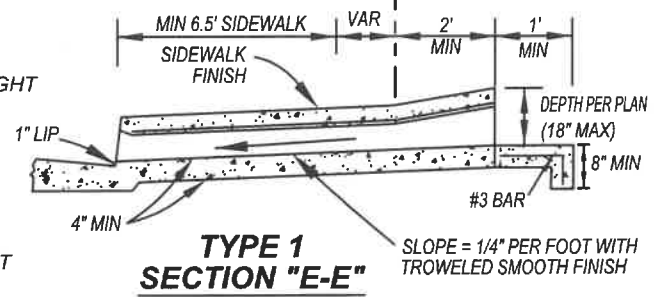


**NOTES:**

- 1) SPAN "S" AND HEIGHT OF OPENING AND CURB FACE HEIGHT AT CULVERT SHALL BE NOTED ON PLANS.
- 2) SEE STD PLAN No MVS1-150B FOR DETAILS AND NOTES.
- 3) CONCRETE SHALL BE CLASS 560-C-3250.
- 4) FACE ANGLE SHALL BE ANCHORED BY FULL PENETRATION WITH A 3-5/8" x 6-3/8" STEEL STUD OR BUTT WELD.
- 5) UNLESS OTHERWISE SPECIFIED, STANDARD FRAME AND COVER SHALL BE ALHAMBRA FOUNDRY GALVANIZED PIPE OR APPROVED EQUAL.
- 6) 1 INCH STEEL CLEARANCE MINIMUM FROM FACE OF CONCRETE.
- 7) TOP OF INLET STRUCTURE TO MATCH ADJACENT SLOPE.
- 8) SIDEWALK CROSS SLOPE SHALL NOT EXCEED 1.5% PER ADA REQUIREMENTS.

TOP OF CURB TRANSITION IS REQUIRED FOR \* 6" CURBS OR 8" CURBS WITH S > 4.0'.



	RECOMMENDED: <i>Henrygo</i> 8/14/19 DIVISION MANAGER DATE	<h2 style="margin: 0;">CITY OF MORENO VALLEY</h2> <p style="margin: 0;">PUBLIC WORKS DEPARTMENT - CAPITAL PROJECTS DIVISION</p>	STANDARD PLAN <h3 style="margin: 0;">MVS1-150A-0</h3>
	APPROVED: <i>M. Lopez</i> 10/11/19 PUBLIC WORKS DIRECTOR / DATE CITY ENGINEER	<h2 style="margin: 0;">PARKWAY CULVERT</h2>	SHEET 1 OF 2