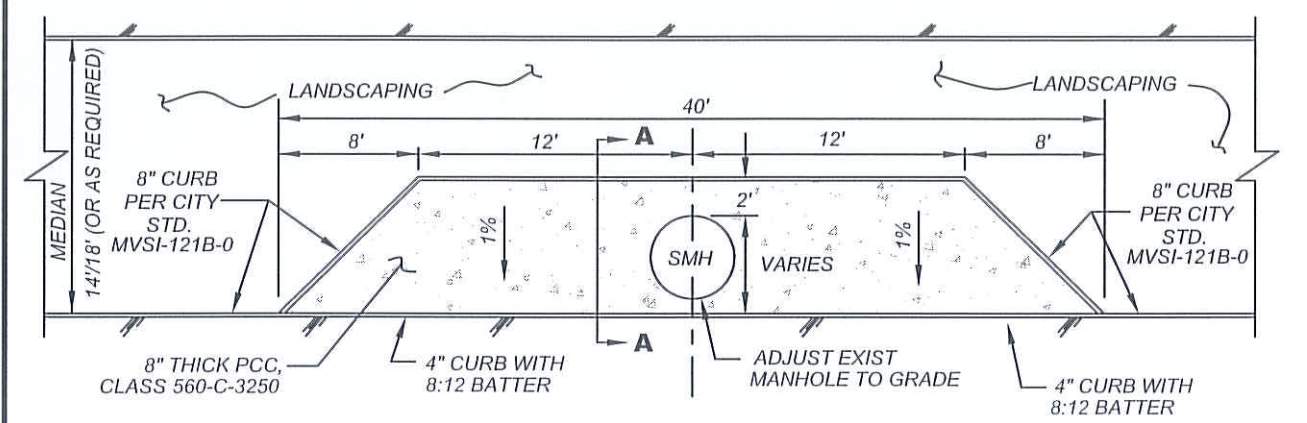
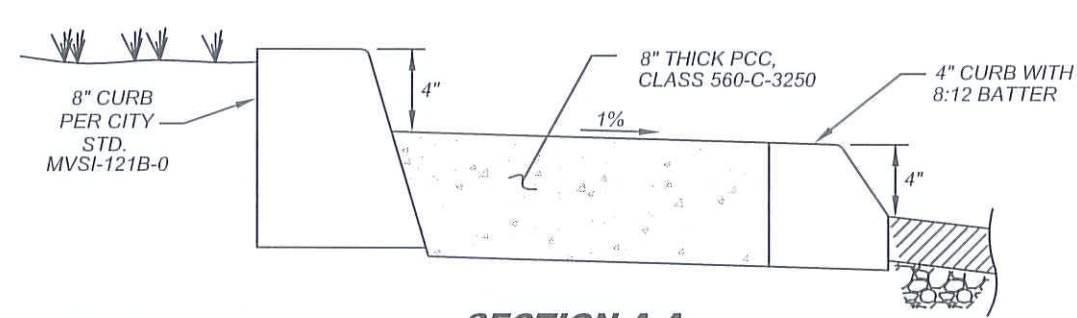


CASE I

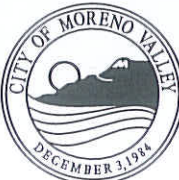




CASE II



SECTION A-A

NOT TO SCALE

	RECOMMENDED:  DIVISION MANAGER DATE: 11/21/14	CITY OF MORENO VALLEY PUBLIC WORKS DEPARTMENT - LAND DEVELOPMENT DIVISION MANHOLE/CURB CONFLICT WITH MEDIAN ACCESS	STANDARD PLAN MVSI-147A-0
	APPROVED:  PUBLIC WORKS DIRECTOR / CITY ENGINEER DATE: 1/29/14		SHEET 1 OF 2